

**FOR IMMEDIATE RELEASE****Free Extensive PLC Programming Software for a Complete Range of PLC/HMIs which Programs Both the Logic and the Visualisation in a Single Package.****Summary**

Horner Automation's Cscape 9.90 software combines graphical ladder diagram programming (based on IEC-61131) with operator interface development to completely integrate the control package. Its straightforward approach to programming combines logic with messaging and networking.

Cscape features a powerful IEC-61131 style free form, drag and drop ladder editor. Nearly 100 functions to choose from, including conversion, string handling, advanced math, flow control and more. IEC-61131 languages now come as standard with Cscape.

**Cscape is easy-to-use with a wide range of features.**

Designed to simplify development of your Operator Interface screens while you develop your control logic. Screens can be called up from ladder logic or operate independently. Use a single set of I/O references-no duplication of effort. Configure all your I/O from Cscape manually or automatically. Built-in expansion and remote I/O are all handled in a straight-forward manner.

Cscape can be downloaded free from [www.hornerautomation.eu](http://www.hornerautomation.eu). It has no costly licensing fees, so you don't have to pay for software upgrades. With fully integrated hardware and software, OCS offers easier programming, installation, development, and set-up.

Horner Automation are releasing Cscape 10 later this year. Included in this major release will be:

- Feature-rich Graphics
- A Re-Designed user interface
- New and improved symbol library
- Improved ease of use with gesture support, including rotate, flip and swipe gestures.
- The Interactive Trend Object
- High Quality Control Panel Visualization and Objects
- Superior Animation Performance
- Continued Evolution of Advanced Logic Languages

**About Horner Automation Europe**

We are part of the world-wide Horner Electric Group that was founded in 1949 and have been designing PLC's, Communication Products, HMI's and their related products since the early '80s.

Based in Cork, Ireland, Horner Ireland Limited is the European Headquarters of the Group and was founded in 1997. Our ethos is to design and manufacture innovative products that are extremely easy to use and provide significant value to our customers.

**Contact**

Olivia Flynn

*Marketing and Multimedia Executive*

Horner Automation Ireland Ltd.

+353 021 4321266

[olivia.flynn@horner-apg.com](mailto:olivia.flynn@horner-apg.com)

We pride ourselves on being the industry leading provider of all-in-one controllers. We offer all-in-one control solutions for OEM's, integrators and end-users. Our range of Programmable Logic Controllers and Human Machine Interfaces are widely used across industry.

###

**Press Pictures:**



Figure 1 - Cscape 9.90

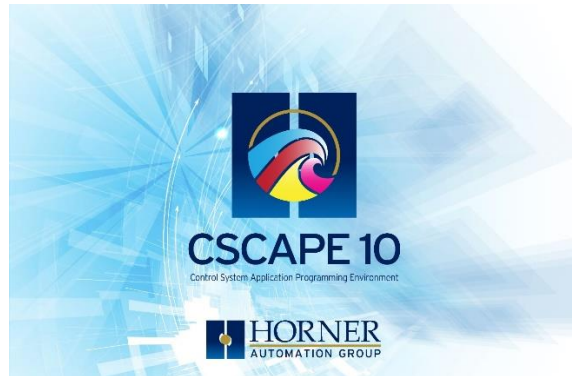


Figure 2 - Cscape 10 Splash Screen



Figure 3 - Cscape 10 Enhanced Graphics Preview

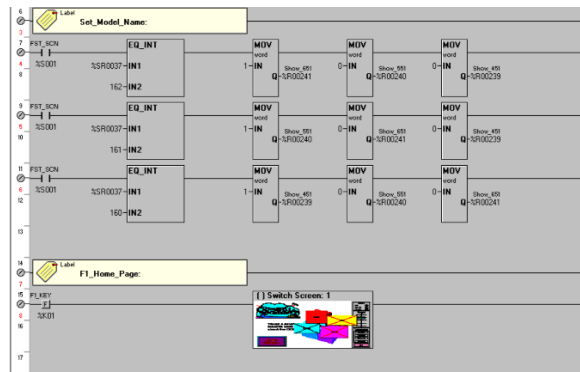


Figure 4 - Cscape 9.90 Programming Logic & Screens

**Download link:** [https://hornerautomation.eu/?cmdm\\_direct\\_download\\_id=160908](https://hornerautomation.eu/?cmdm_direct_download_id=160908)

**Contact**

Olivia Flynn

Marketing and Multimedia Executive

Horner Automation Ireland Ltd.

+353 021 4321266

[olivia.flynn@horner-apg.com](mailto:olivia.flynn@horner-apg.com)